

### Type IC & Airtight



Project: \_\_\_\_\_

Location: \_\_\_\_\_

Trim Finish: \_\_\_\_\_ Qty: \_\_\_\_\_

Notes: \_\_\_\_\_

#### DESCRIPTION

Recessed 4" Gimbal Round LED With Integral Driver In Connection Box.  
Fits Where No Other Recessed Fixture Can.  
**Unique Design: Gimbal Yet Air-Tight Without Housing Needed.**

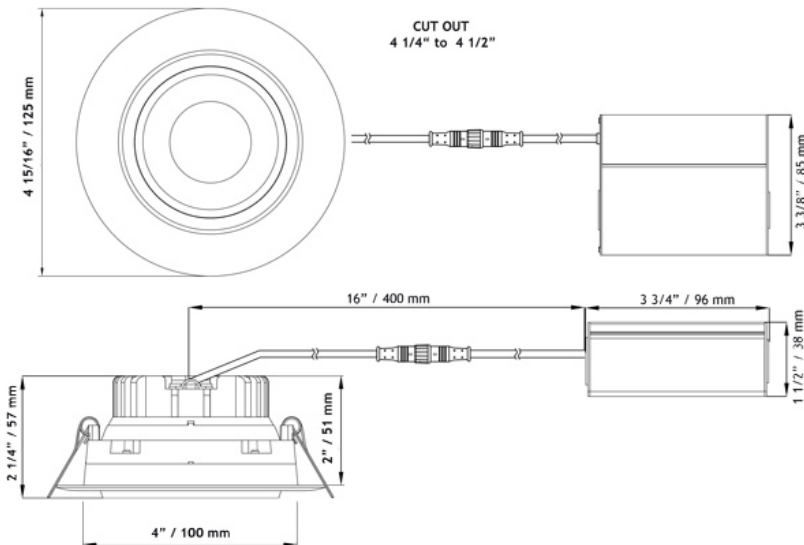
#### FEATURES & BENEFITS

- 2" Thin - Install Where Ceiling Space Is Limited.
- Type IC Rated - No Housing Required
- Fast & Easy To Install - Save On Labour
- Driver Inside Connecton Box - No Junction Box Needed
- Directional Beam - Great for Sloped Ceilings and Highlighting Artwork
- CRI 94 - True Colour Rendering

#### MOUNTING

Cut Hole In Ceiling And Snap Fixture In Opening With Attached Spring Clips.  
Ceiling Clearance Required: 2 1/2"

SPECIFICATION	
Applications	Sloped Ceilings, Highlighting Artwork
Energy Used	11.4 W
Colour Temperature	3000° K
Light Output	1000 lm
Halogen Equivalent	90 W
Beam Angle	40° Beam with 30° tilt and 360° rotation
CRI	94
Driver Input	120V AC or 277V-347V AC 50/60 Hz
Power Factor	0.98
Dimming	TRIAC Dimmers 10% - 100%
Approved Location	Insulated Ceiling & Damp Locations
Air Tight	Yes
Ambient Temperature	-40° F (-40° C) to +104° F (+40° C)
Projected Life	70% Light Output at 50,000 Hours
Certification	cULus, Energy Star
<b>Warranty</b>	<b>10 Year on Residential</b> <b>5 Year on Commercial Applications</b>



Driver included



#### COMPLIANCE



Available Trims:



White

Black

Brushed Nickel

**CHARACTERISTICS**

**Unique Design:** Gimbal with 30° tilt and 360° rotation, **Yet Air-Tight Without Housing Needed.** Patent Pending.

**Body:** Durable, Die Cast Aluminum Alloy for Optimal Heat Dissipation.

**Paint:** Oil Based Spray Painted - Scratch Resistant And Smooth Finish.

**LED:** Epistar COB Custom Packaged by Hongli Tronic with LM80. Guaranteed 98% Lumen Maintenance After 6,000 Hours.

Strict Binning To Ensure Consistent Light Colour. **CRI 94.**

**Driver:** 4th Generation Lotus Designed. **Field Proven Since 2011.**

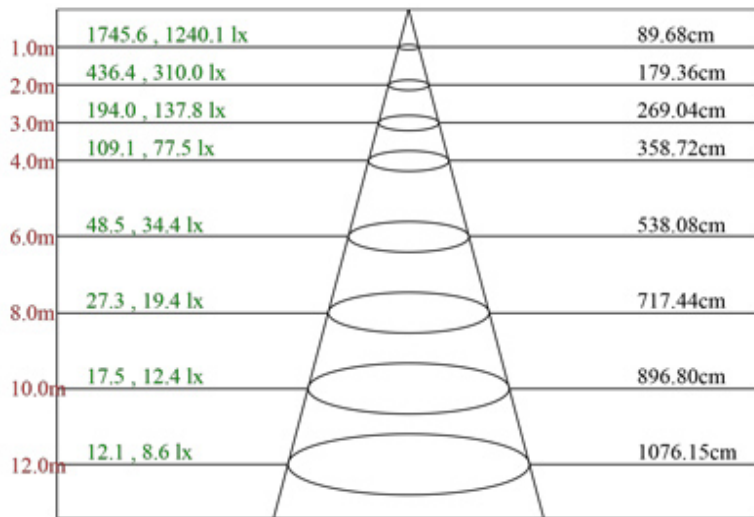
**Connection Box:** Patented Invention By Lotus LED Lights. Saves Contractors Labour In Installation On Every Job.

**Testing:** Every Single Driver Is Powered For Minimum 24 Hours Together With The Fixture That It Is Shipped With.

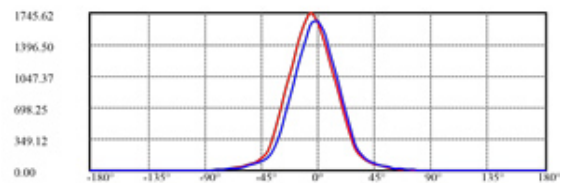
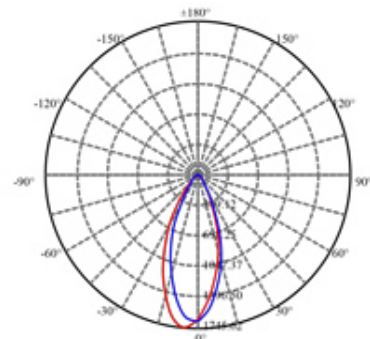
Every LED Is Visually Checked Before And After The PCB Is Mounted On The Fixture. **No Random Tests - We Hand Test Every Fixture & Driver.**

**PHOTOMETRIC DATA**

MODEL:	LL4G 30K	LAMP FLUX:	1030 LM
VOLTAGE:	120 V	LUMENS / POWER:	92 LM/W
POWER:	11.2 W	CENTRAL INTENSITY:	1640 CD
PF:	0.985	BEAM ANGLE:	43 DEGREES



Max , Ave Beam angle of C180plane47.93



**ORDERING GUIDE**

Example: LL4G - 30K - WH

LL4G - 30K -  Trim Finish  
 WH : White  
 BK : Black  
 BN : Brushed Nickel

Order 277V - 347V Optional Driver Separately As cat # LLL-LD1025H



**ACCESSORIES**

Sold Separately



Low Voltage Extension Cables  
 6ft - cat # EXC6, 20ft - cat # EXC20  
 Max 40 ft Extension Allowed



Rough-In Plates - cat # RIP4



Goof Ring White OD 5 3/4" - cat # GR4



**Warehouses**

Vancouver Toronto Las Vegas Naples Philadelphia Dallas

tel: 1-844-24-LOTUS (56887)

fax: 1-877-561-6306

www.lotusLEDlights.com